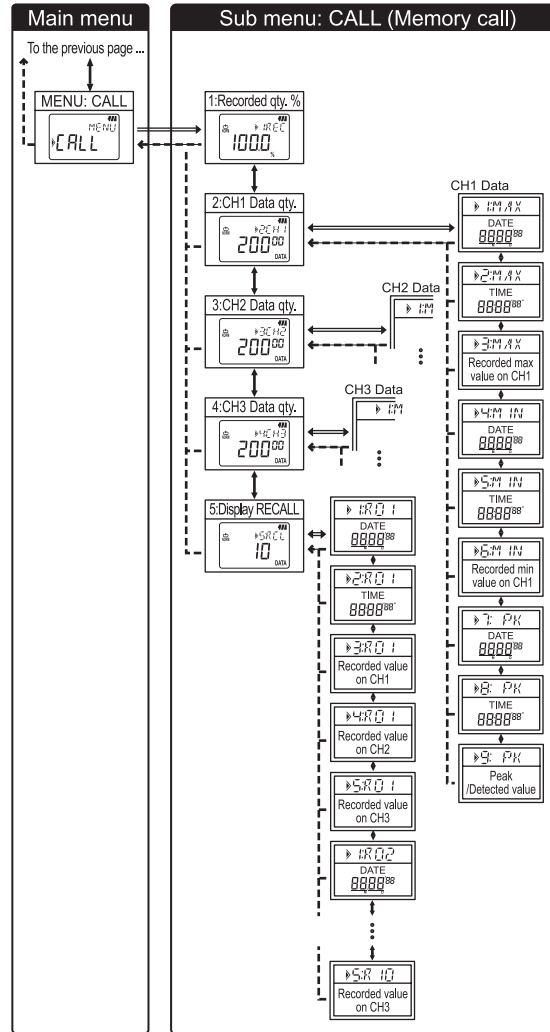
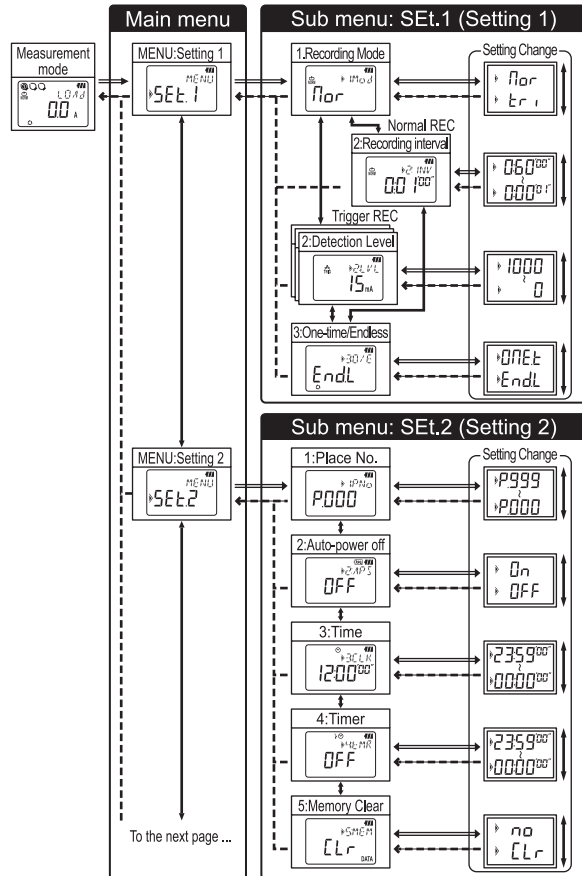
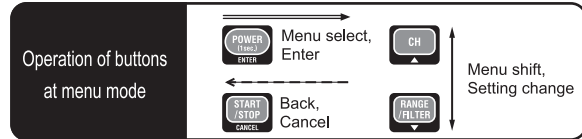


KEW LOGGER SERIES Quick Manual

Current Logger KEW 5010
Current & Voltage Logger KEW 5020

△ Read through and understand the Safety Warnings in this manual before using the instrument.

(1) Menu configuration



KYORITSU ELECTRICAL INSTRUMENTS WORKS, LTD.
TOKYO, JAPAN

SEE 1 (Setting1) Setting items

- 1.[Mod] Recording mode
[Nor]: Normal REC, [Tr]: Trigger REC
(*Setting via PC --- [CAP]: Capture REC, [PQA]: PQA REC)
- 2.Recording Conditions
 - ◆ [INV] Recording interval (Normal REC mode)
1 sec. to 60 min. : 15-kind in total
 - ◆ [LVL] Detection level (Trigger REC mode)
Set the Detection Level from 0 upto 1000.
(Unit varies on the connected sensors.)
- 3.[O/E] Onetime/Endless
Onetime(ONE.t): Recording stops when memory becomes full.
Endless(End.L): Overwrite the old data, and store the latest data.

SEE 2 (Setting2) Setting items

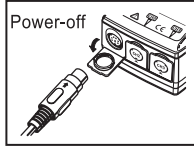
- 1.[1:PN0] Location no.
Selectable between "P.000" and "P.999".
- 2.[2:APS] Auto-power-off (3min.)
Select "ON" to activate Auto-power off; "OFF" to disable it. Power off the instrument after use. (This function doesn't power off the instrument during recordings.)
- 3.[3:CLK] Time
Can set hour and minute.
- 4.[4:tMR] Timer
Pressing the [START] button initiates a recording when pre-set time comes.
- 5.[5:MEM] Memory Clear
Clear the recorded data. Press the [ENTER] button with "no" indication on the LCD, then press the [DOWN] button to select "CLR". Pressing the [ENTER] button clears the data.

CALL (Recall) Reference items

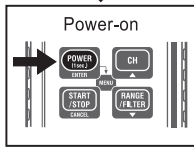
- 1.[1:REC] Recorded quantity
The ratio of the recorded quantity in the memory capacity. (%)
- 2.[2:CH1] Number of recorded data at CH1 (current memoryblock)
Pressing the [ENTER] button displays Max, Min and Peak values (or detected) with time and date information.
- 3.[3:CH2] Number of recorded data at CH2 (current memoryblock)
Pressing the [ENTER] button displays Max, Min and Peak values (or detected) with time and date information.
- 4.[4:CH3] Number of recorded data at CH3 (current memoryblock)
Pressing the [ENTER] button displays Max, Min and Peak values (or detected) with time and date information.
- 5.[5:RCL] RECALL
Pressing the [ENTER] button displays the latest recorded data and the preceding 9 data, [R1] to [R10], with time / date information and each recorded values.

(2) Operations in Normal recording mode

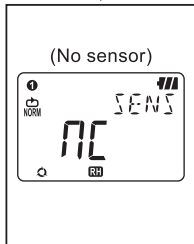
Step1: Preparation



1. Connect a Clamp/Voltage (KEW5020 Only) Sensor to CH1 (for multiple connection, starting from CH1) while the instrument is being off. Connect them firmly with careful attention to the orientation of the connector.

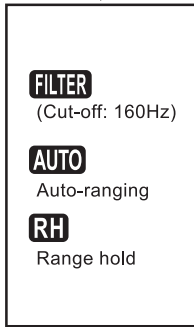


2. Press the **POWER** button at least 1 sec. to power on the instrument. Release the button when all indications are displayed on the LCD. First, time is displayed, and then sensors being connected are displayed.



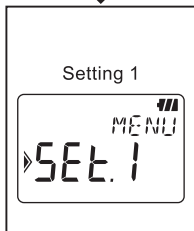
3. Check the connected Sensors. Sensor and the full-scale value are displayed. (beginning from CH1)

- ◆ Only CH1 is used in Capture REC mode.
- ◆ Voltage sensor is connected to CH1 in PQA REC mode (only on KEW5020).
- ◆ Voltage sensor cannot be used with KEW5010.
- ◆ Power off the instrument and repeat steps from 1. to re-connect a Sensor.



4. Check the range on the CH in use. Pressing the **CH** button switches between CH1 and CH3; measured values are displayed.

- ◆ Pressing the **RANGE/FILTER** button switches Ranges or Filter settings.
- ◆ Filter switching is available on the sensors having single range, such as Voltage sensor.
- ◆ Auto-ranging is available in Normal REC mode.
- ◆ Range in Trigger/Capture REC mode is automatically selected based on the pre-set detection level.



5. The instrument enters Menu mode when **POWER** button is pressed. Each button acts as follows in Menu mode.



6. Confirm that "Set. 1" (which means Setting1) is displayed on the LCD, and press the **ENTER** button.

Normal REC Mode



7. Selected Recording mode is displayed on the LCD. Check the Normal REC mode. [Default value: Normal REC mode]

- ◆ No change: Press the **DOWN** button, and proceed to **Step 2**.
- ◆ To change the mode: Follow the instruction given in below "Change of set value"; press the **DOWN** button and proceed to **Step 2**.

Change of set value

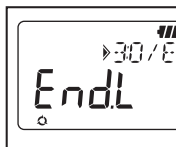
- (1) Press the **ENTER** button while the set value is being displayed on the LCD.
- (2) Then the set value blinks.
- (3) Press the **UP** or **DOWN** button and set it to the desired value.
- (4) Press the **ENTER** button to confirm the value. Then the value stops blinking, and the set value is confirmed. To cancel the change, press the **CANCEL** button.

Step2: Confirmation and change of the set value

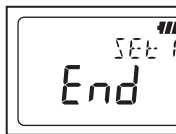
Two settings: "Recording interval" & "Selection of Onetime/ Endless" are made in this recording mode.



1. Recording interval is displayed. (1 sec. to 60 min.: 15-kind in total) [Default value: 1 min.]
- ◆ No change: Press the **DOWN** button.
- ◆ To change the interval: Follow the instruction given in "Change of set value"; press the **DOWN** button and proceed to the next.



2. ONE.t (Onetime) or End.L (Endless) is displayed. [Default value: Endless]
- No change: Press the **DOWN** button.
- To switch them: Follow the instruction given in "Change of set value"; press the **DOWN** button and proceed to the next.

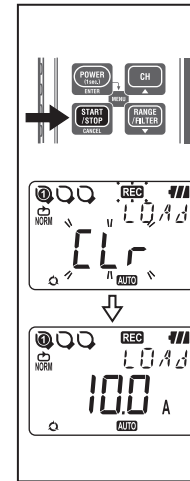


3. Setting completes. Press the **ENTER** button to return Setting 1 "Set.1".



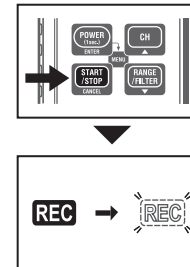
4. When clearing all the recorded data, do Memory clear at Setting 2. Press the **CANCEL** button to make measurements without clearing data. (go to **Step 3**)

Step3: Start of recording



1. Connect the sensor and the instrument firmly so as not to easily be disconnected.
2. Pressing the **START/STOP** button at least 4 sec until **REC** mark appears on the LCD starts recordings.
- ◆ Status of recorded data in Memory is displayed with a message "CL" or in percentage on the LCD while the button is pressed down. (Releasing the button at this status stops a recording.)
- ◆ Additional three recordings (Memory block 1 to 3) are possible. In this case, recording stops when memory is full even if onetime is being selected.
- ◆ It is recommended to clear the memory before starting to record if previous data is not necessary.

Step4: Stop of recording



1. Press the **START/STOP** button at least 1 sec to stop recording.
2. Recording stops, and the **REC** mark disappears. Then the instrument goes back into measurement state.

Now, recording completes.

- The recorded data can be viewed either by the following two methods.
 - ◆ On a PC: Refer to the instruction manual. (Data transfer to PC) See the HELP contained in a PC Software "KEW LOG Soft2" how to transfer the data and operate the instrument.
 - ◆ On the instrument: Refer to **Confirmation of recorded data (CALL)**
- Press the **POWER** button at least 1 sec to power off the instrument.